

VIPROXY®

Valve with Integrated Pressure Regulator for medical OXYgen



Oxygen Therapy VIPRs by Cavagna Group



VIPROXY® i-1touch

- Digital gauge for an overview of all measured parameters
- Easy upgrade to the IoT version with a simple add-on
- Remote monitoring of the device status
- Optimized management of the cylinder fleet



 intelligent
innovative
interconnected

The management of medical oxygen becomes smarter for both cylinder distributors and patients thanks to Viproxy® i-1TOUCH.

Viproxy® i-1TOUCH can be equipped with an **optional IoT add-on** that makes it an IoT device **when needed**.

Thanks to an **electronic IoT module** and its related **software OTUS**, this innovative valve allows an **easy remote monitoring** of all connected devices and the **secure collection of the values** they are able to measure and transmit.

Otus
The Cavagna Group Digital Platform

Technical features

- Suitable for up to 300 bar oxygen working pressure (4351 PSI)
- Digital gauge available with bar or PSI scales and backlit dial
- Non return valve in the filling port
- Total weight with protection guard: 1,9 Kg ~ (for the fully equipped version)
- Conforming to all of the requirements of EN ISO 10524-3
- CE and π marked according to the European Directives for Medical devices and Transportable Pressure Equipment
- MRI conditional certified up to Tesla 3
- Conforming to the PILL test ASTM G175 (up to 300 bar)
- Estimated minimum battery life span: 4 years (for the IoT version)
- Gauge IP Rate: 65
- Integrated hospital bed hanging device

Optional features

- IoT electronic board compliant to Radio Equipment Directive (RED)
- Protection guard conforming to ISO 11117
- Configuration customizable with 1 or 2 outlets. Barbed fitting for 1/4" I.D. Hose and quick auxiliary connection with pressure fixed at 4 bar or 50 PSI
- Anti-filling device in the filling port

Components

- Low torque non rotating spindle shut off valve with position flow setting knob
- Dual outlet: hose barb and fixed high pressure
- Residual pressure device
- Bursting disc device
- Anti-dust brass tube
- High flow piston regulator
- Integrated pressure relief device



VIPROXY® 1 touch

- ALL-IN ONE solution
- Compact and light design
- Simplified emergency oxygen supply
- Durable and user-friendly

1 turn motion touch



In the Viproxy® 1Touch the **oxygen regulator and the gas supply valve** are enduringly combined **as one system**.

Thanks to its low torque non rotating spindle shut off valve with an integrated position flow setting knob, **a single motion is enough to get the entire system working perfectly, including flow regulation.**

Viproxy® 1Touch is suitable **for different types of mixtures** such as: oxygen, oxygen and nitrous oxide mixture, air and oxygen helium mixture.



Technical features

- Suitable for up to 300 bar oxygen working pressure (4351 PSI)
- Active gauge available with PSI or bar scales and fluorescent dial
- Non return valve in the filling port
- Total weight with protection guard: 1.500 gr (for the fully equipped version)
- Conforms all the requirements of EN ISO 10524-3
- CE and π marked according to the European Directives for Medical devices and Transportable Pressure Equipment
- MRI compatible certified up to Tesla 3
- Conforming to the PILL test ASTM G175 (up to 300 bar)

Optional features

- Integrated hospital bed hanging device
- Protection guard conforming to ISO 11117
- Non-active gauge
- Configuration customizable with 1 or 2 outlets. Barbed fitting for 1/4" I.D. hose and quick auxiliary connection with pressure fixed at 4 bar or 50 PSI
- Antifilling device in the filling port
- Filling port protection nut
- Bursting disc device
- Excess flow device
- Special smart filter

Components

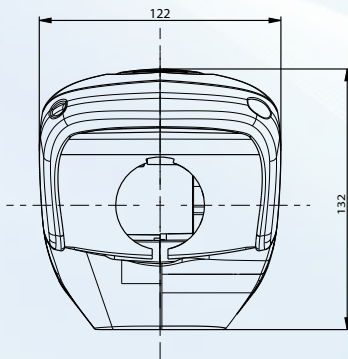
- Low torque non rotating spindle shut off valve with position flow setting knob
- Dual outlet: hose barb and fixed high pressure
- Residual pressure device
- Bursting disc device
- Anti-dust brass tube
- High flow piston regulator
- Integrated pressure relief device



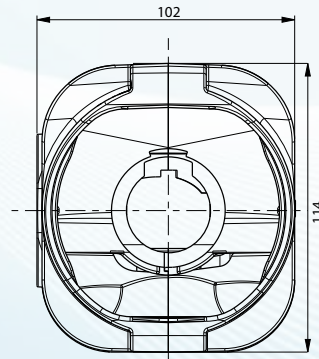
Valve Guards available



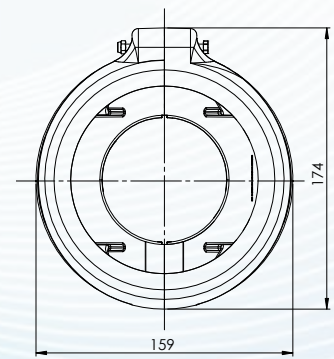
Top shrouds view



h = 125 mm



h = 125 mm



h = 125 mm



cavagna group

Wherever gas is used, we are there

CAVAGNA GROUP SPA
Via Statale 11/13 - Frazione Ponte San Marco
25011 Calcinato - Brescia (Italy)
Tel. 0039 030 9663111 - Fax 0039 030 9980894
info@cavagnagroup.com
www.cavagnagroup.com